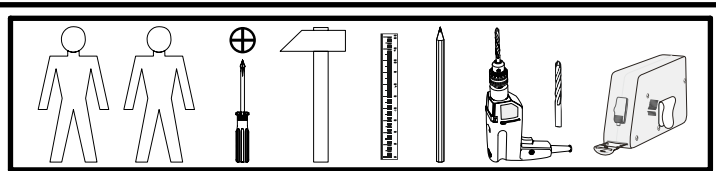
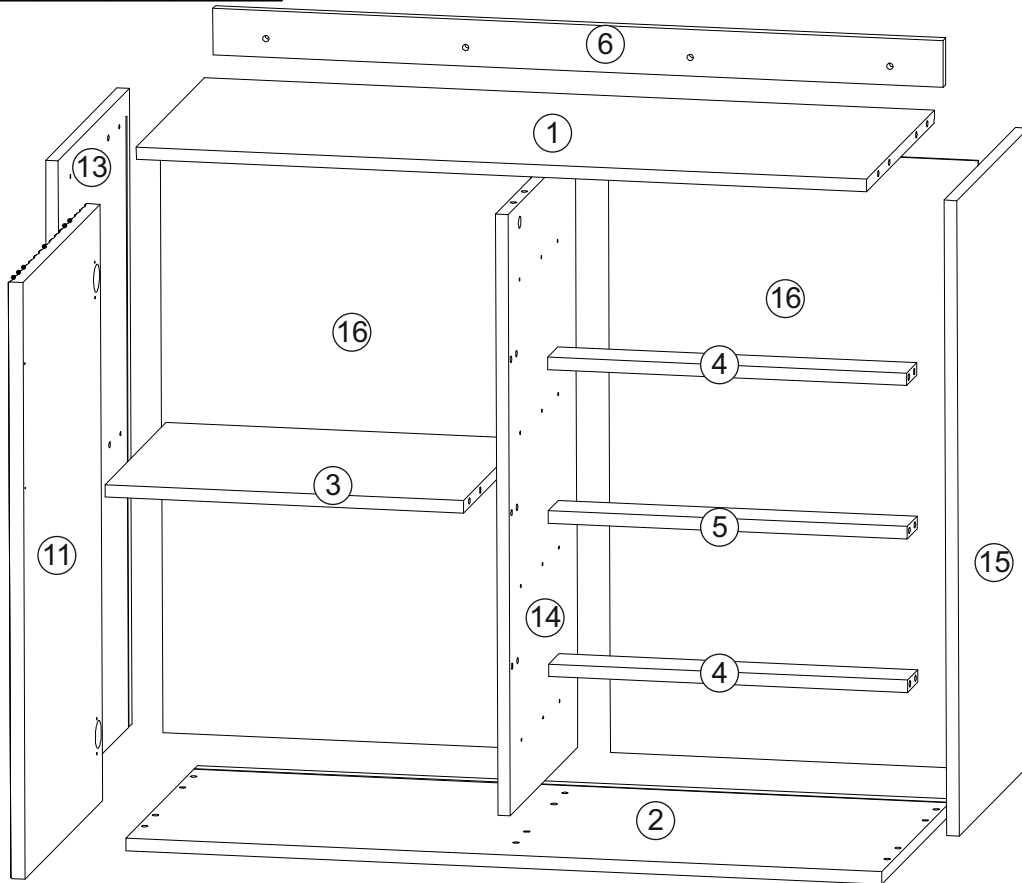
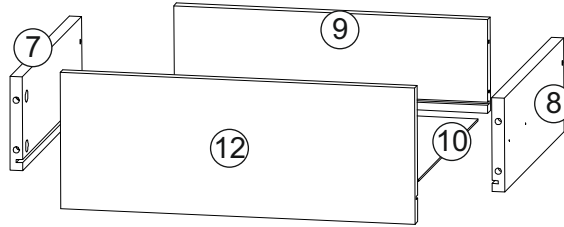
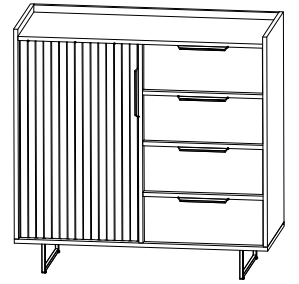


# N100

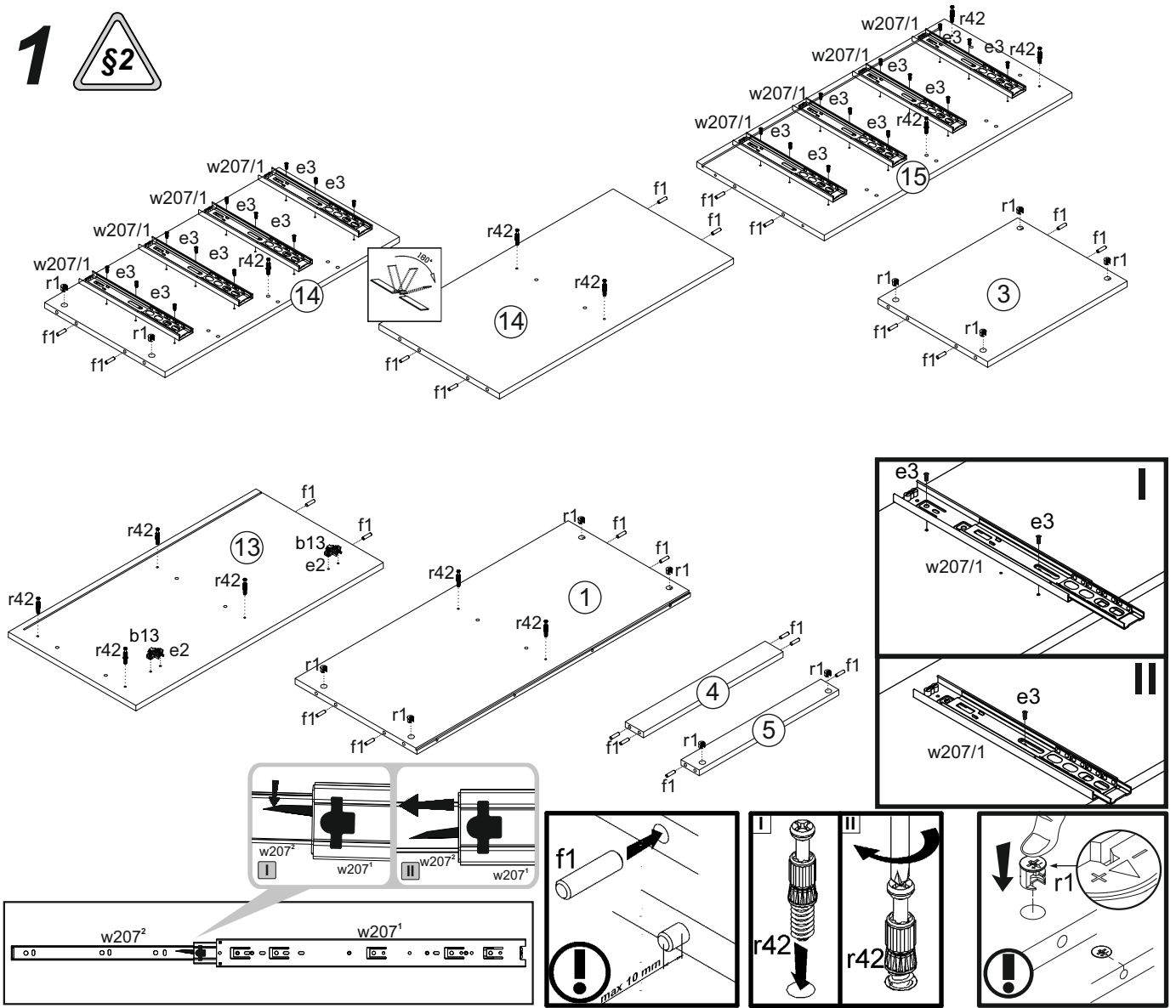
# KOM1D4S

A	B	C		D
1	N100-213	936	402	1/3
	N100-212			
2	N100-214	969	420	1/3
3	N100-304	460	361	1/3
4	N100-406	460	60	1/3
5	N100-418	460	60	1/3
6	N100-407	936	60	1/3
7	N100-501	350	120	1/3
8	N100-502	350	120	1/3
9	N100-505	402	120	1/3
10	N100-905	417	350	1/3
11	N100-006	766	454	2/3
12	N100-008	454	175	2/3
13	N100-109	816	420	2/3
14	N100-111	772	397	2/3
15	N100-115	816	420	2/3
16	N100-906	781	473	2/3

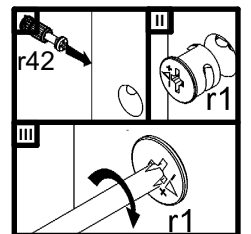
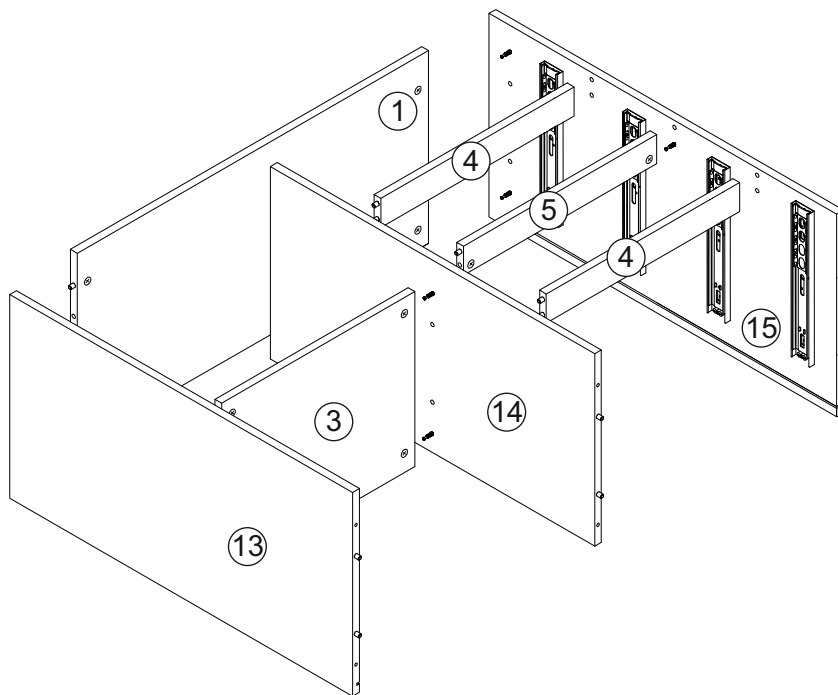


5x  c818	24x  s2	4x  Ø3,5x15 mm p51	1x  z1	12x  i2	28x  Ø15x12 mm #16 r1	28x  r42	26x  Ø8x30 mm f1
8x  350 mm w207/1	8x  350 mm w207/2	10x  Ø7x50 mm e1	24x  Ø3,5x12 mm p140	24x  Ø6x13 mm e3	16x  Ø5x50 mm e32	4x  20x13x3,51mm n108	4x  Ø2,9x16 mm p55
10x  Ø3,5x13 mm p1	2x  a27	2x  b13	14x  Ø3,5x16 mm p38	2x  k129	4x  Ø 6,3x13 mm e2		

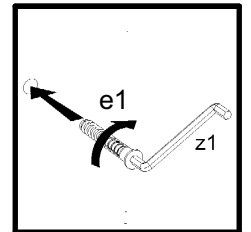
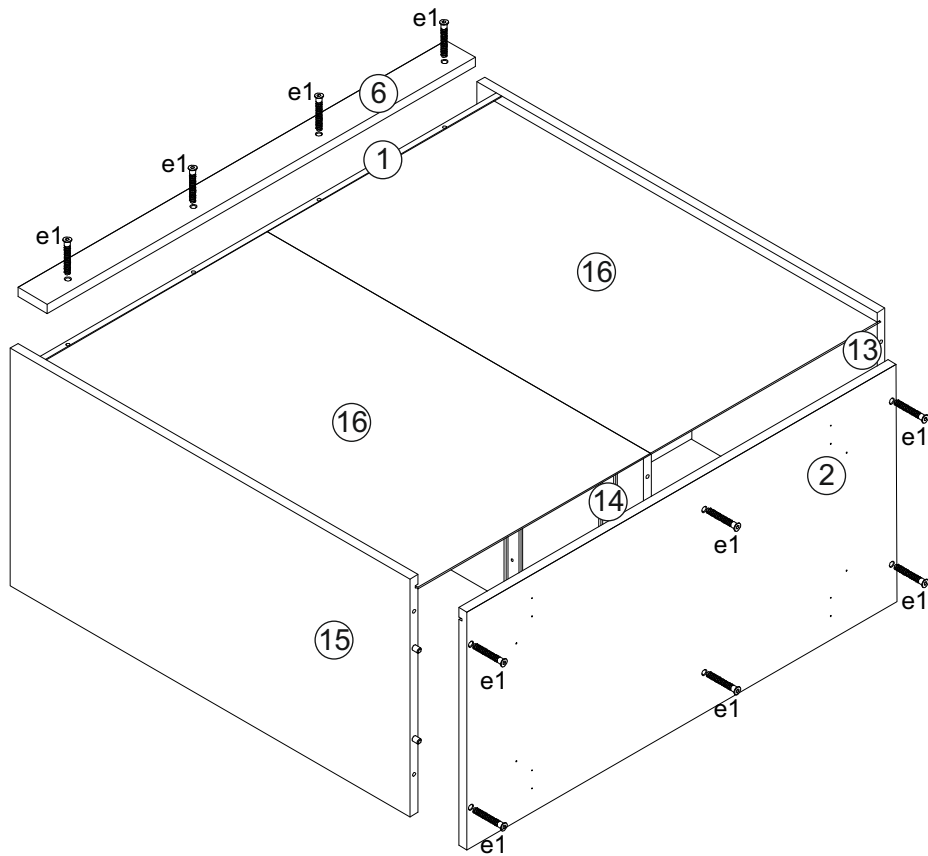
# 1



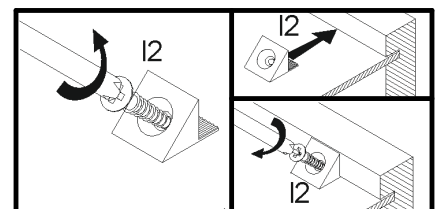
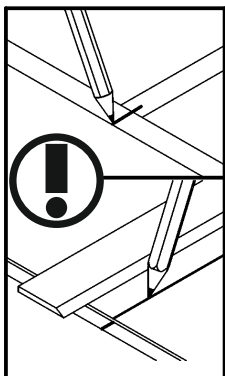
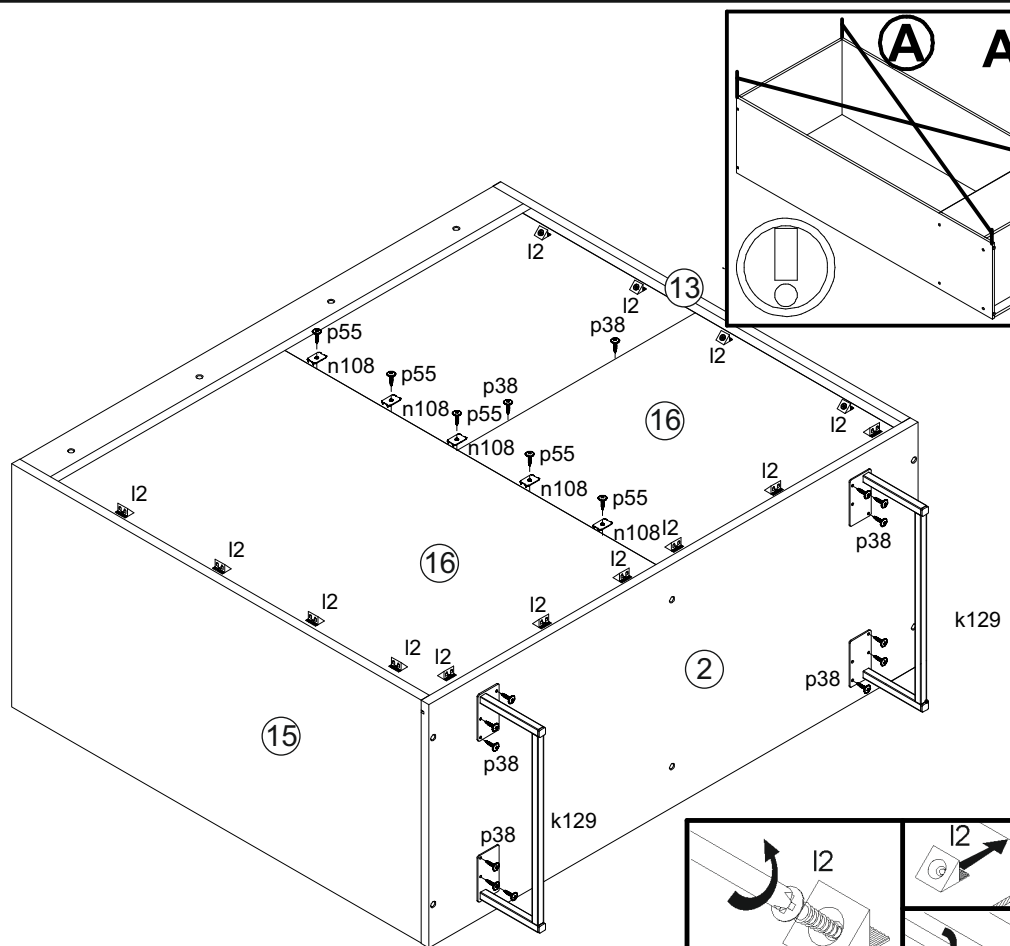
# 2



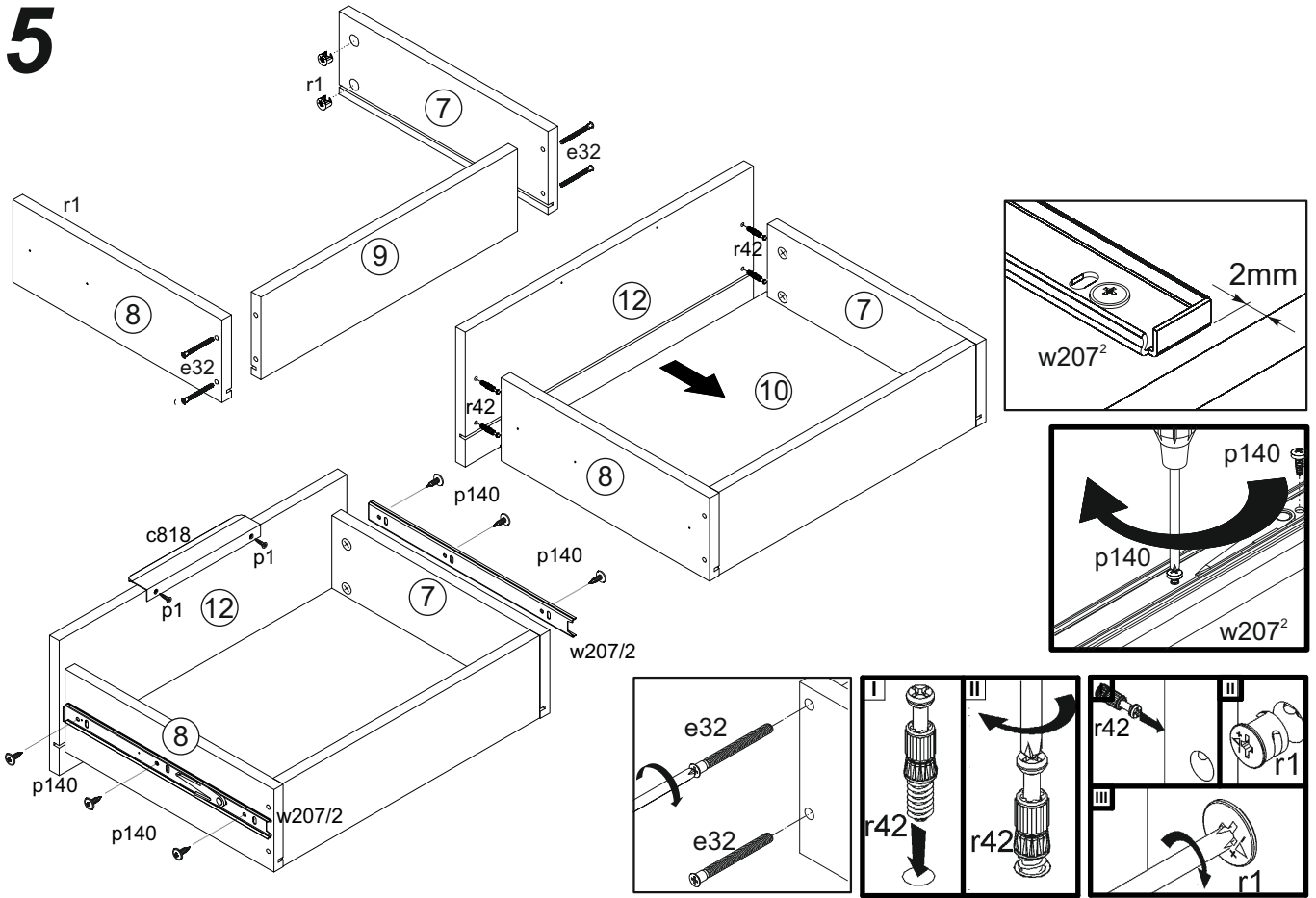
# 3



# 4



# 5



# 6

